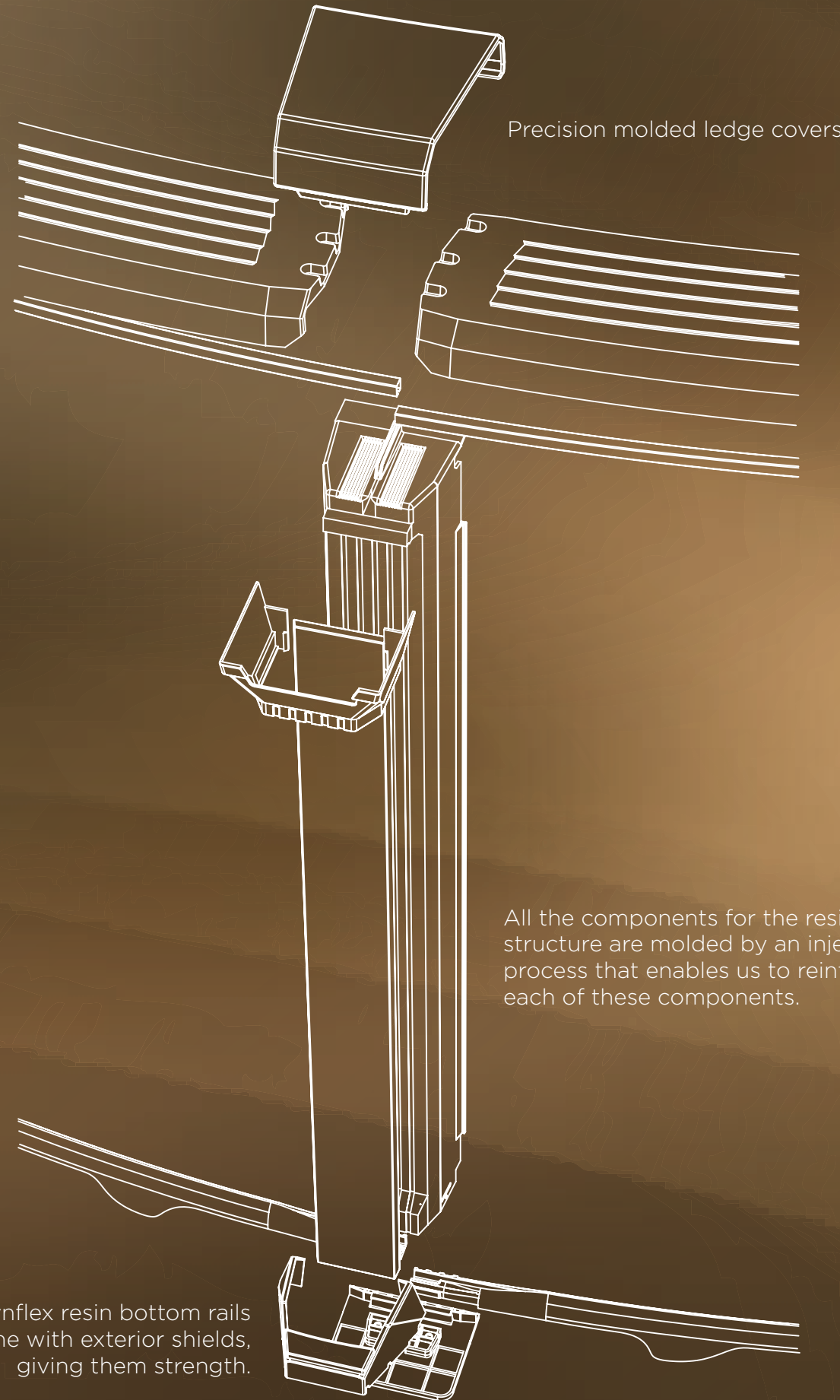


# QUANTUM

Superior design complemented  
in resin technology



Precision molded ledge covers

All the components for the resin pool structure are molded by an injection process that enables us to reinforce each of these components.

Synflex resin bottom rails come with exterior shields, giving them strength.



## Available color and sizes

### Color

Champagne

### Round

15' 18' 21' 24' 27' 30' 33'

### 54" Height

### Oval

15' x 26' 15' x 30' 18' x 33' 18' x 40'

### 54" Height

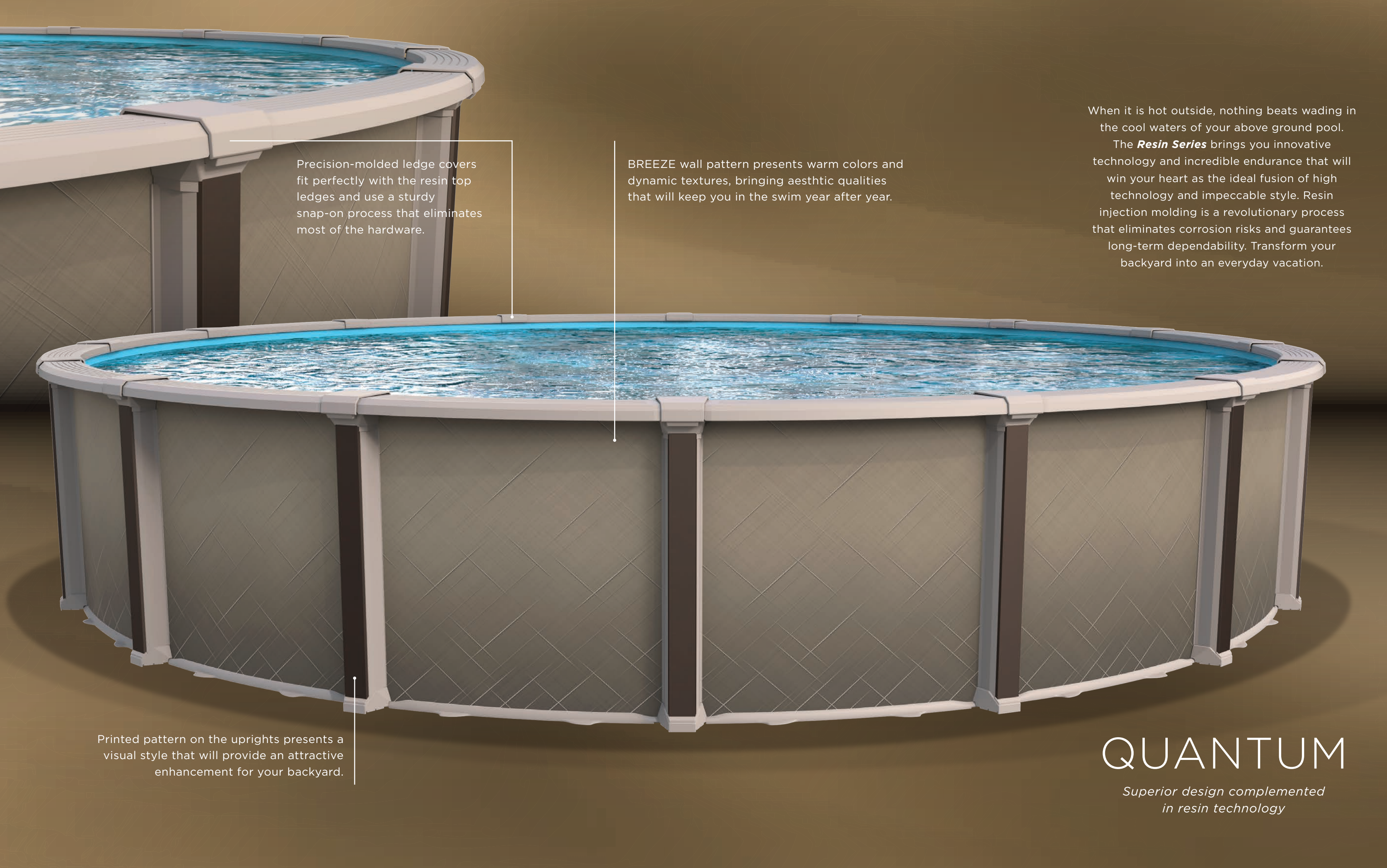
## Features

### Resin Series

- 10-inch High Impact Synflex injection-molded curved resin top ledges
- High Impact Synflex injection-molded resin uprights with printed pattern
- Ledge covers perfectly adjust to upright
- Resin bottom rails with integrated connecting plates
- Robust injection-molded resin structure
- Breeze wall pattern coated with Resin Kote
- Heavy corrugated wall with superior coatings
- Stainless steel hardware
- Exclusive Dura Lok resin bottom system
- Classic style for a lifetime
- Easy to assemble
- Space saver system for oval pools  
-enjoy your pool without losing your yard

Your above ground pool has been designed to provide you with years of safe, family fun. This entails that water safety must always be taken into account. When used incorrectly, your above ground swimming pool can be dangerous; above ground pools are shallow, and this makes diving and jumping unsafe. To ensure your above ground pool is used safely, you must observe the safety precautions that are provided to you when you purchase an above ground pool and conform to all local regulations. © Copyright 2014





Precision-molded ledge covers fit perfectly with the resin top ledges and use a sturdy snap-on process that eliminates most of the hardware.

BREEZE wall pattern presents warm colors and dynamic textures, bringing aesthetic qualities that will keep you in the swim year after year.

When it is hot outside, nothing beats wading in the cool waters of your above ground pool.

The **Resin Series** brings you innovative technology and incredible endurance that will win your heart as the ideal fusion of high technology and impeccable style. Resin injection molding is a revolutionary process that eliminates corrosion risks and guarantees long-term dependability. Transform your backyard into an everyday vacation.

Printed pattern on the uprights presents a visual style that will provide an attractive enhancement for your backyard.

# QUANTUM

*Superior design complemented  
in resin technology*